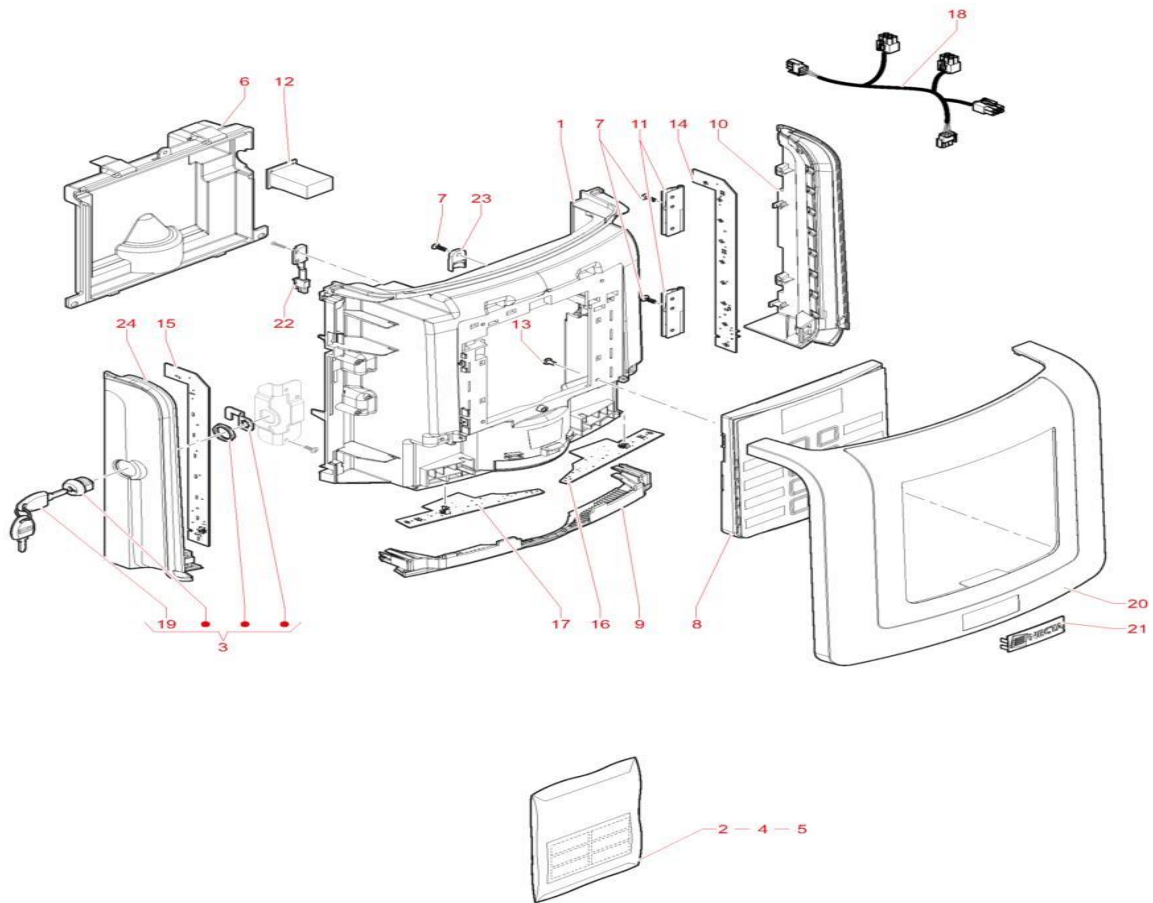




KORO PRIME ESPRESSO

- 1 Door
- 2 Cabinet assy
- 3 Electric system
- 7 Tank hydraulic system 500 cc. (water supply)
- 8 Mixer and canister
- 9 Grinder
- 12 Oversize chamber coffee unit
- 13 Cabinet

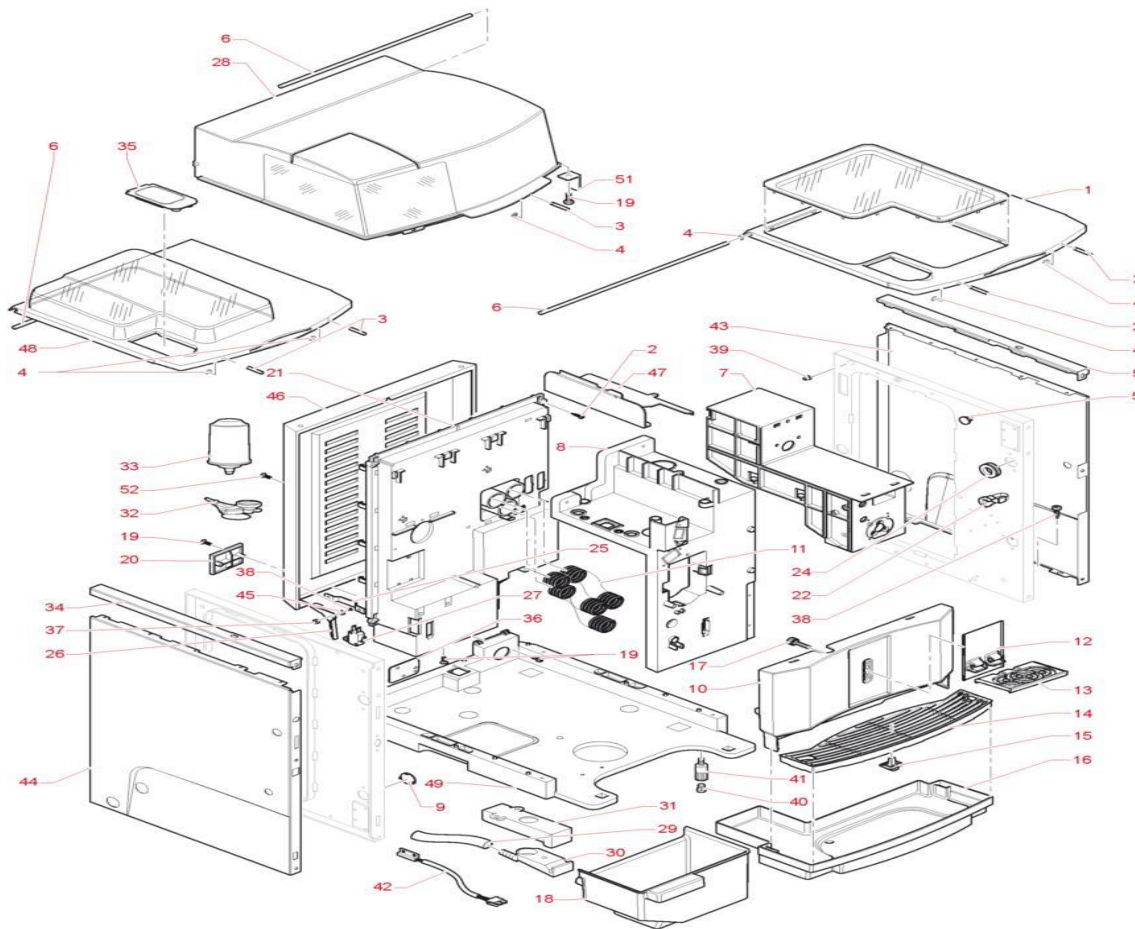




| posLbl | Item | Description |
|--------|--------|---|
| 0001 | 260207 | DOOR STRUCTURE |
| 0002 | 260401 | FRESHMILK PRODUCT PLATES - D/NL/NORDIC- |
| 0003 | 252137 | DOOR LOCK |
| 0004 | 260543 | BLACK PRODUCT PLATES -FRANCE- |
| 0005 | 260576 | PRODUCT PLATES BLACK - UK - |
| 0006 | 260210 | CARD COVER |
| 0007 | 255034 | PLAIN TIP SELF-TAPPING SCREW 4X12 |
| 0008 | 260355 | CAPACITIVE KEYPAD ASSEMBLY |
| 0009 | 260212 | LOWER LIGHTENING FRAME |
| 0010 | 260209 | RIGHT DOOR SIDE |
| 0011 | 260296 | DOOR HINGE |
| 0012 | 251862 | IMPULSE COUNTER |
| 0013 | 255724 | SELF-TAPPING SCREW 4X8 |
| 0014 | 260404 | LED CARD -RIGHT- |
| 0015 | 260405 | LED CARD -LEFT- |
| 0016 | 260406 | COMPARTMENT LED CARD - RIGHT - |

| | | |
|------|--------|-------------------------------|
| 0017 | 260407 | COMPARTMENT LED CARD - LEFT - |
| 0018 | 260403 | DOOR LIGHTING WIRING |
| 0019 | 252401 | MERONI PASSPARTOUT KEY |
| 0020 | 260215 | FRONT PANEL ESTETICO |
| 0021 | 260213 | LOGO PLATE |
| 0022 | 251860 | FEELER |
| 0023 | 260214 | WIRE CLIP |
| 0024 | 260208 | LOCK LEFT DOOR SIDE |

EVOLCA
GROUP



| posLbl | Item | Description |
|--------|--------|---------------------------------|
| 0001 | 260198 | TOP FOR ESPRESSO UNIT - SHINY - |
| 0002 | 255725 | SELF-TAPPING SCREW 3.9X13 |
| 0003 | 252594 | PIN |
| 0004 | 091737 | CIRCLIP DIN 6799 |

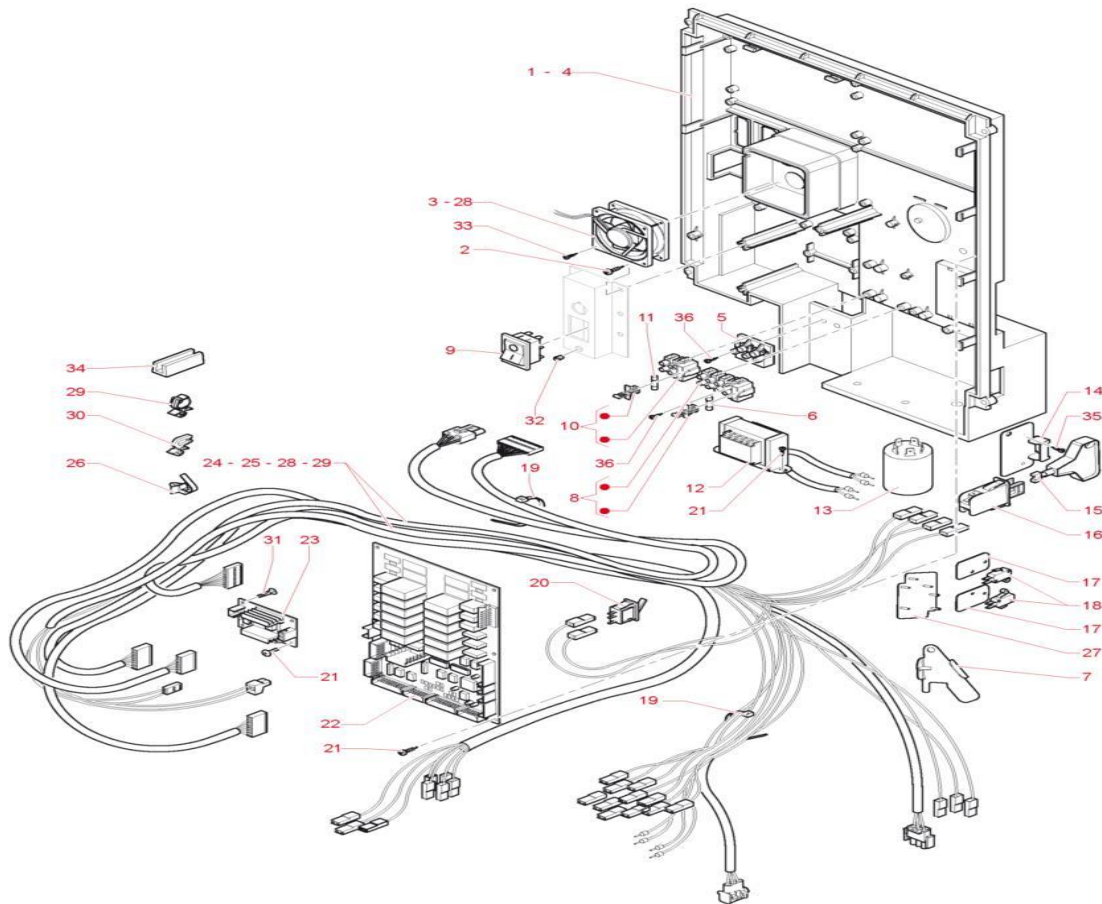
| | | |
|------|--------|---------------------------------------|
| 0005 | 251850 | BASE FOOT |
| 0006 | 251835 | PIN |
| 0007 | 251800 | MIXER SUPPORT BRACKET |
| 0008 | 251821 | GRINDER SUPPORT |
| 0009 | 0V4199 | PLUG |
| 0010 | 260191 | DISPENSING COMPARTMENT BACK - SHINY - |
| 0011 | 252097 | BLACK PVC PIPE D.25(A METER) |
| 0012 | 260189 | CUP FLAP SUPPORT - SHINY - |
| 0013 | 260190 | CUP FLAP - SHINY - |
| 0014 | 260188 | LIQUID GROUND BASIN GRILLE - SHINY - |
| 0015 | 251851 | FLOAT |
| 0016 | 260187 | LIQUID GROUND BASIN - SHINY - |
| 0017 | 096977 | KNURL |
| 0018 | 251818 | EXPRESS COFFEE GROUNDS TRAY |
| 0019 | 255034 | PLAIN TIP SELF-TAPPING SCREW 4X12 |
| 0020 | 260193 | WATER LINE CAP - SHINY - |
| 0021 | 251820 | ELECTRIC COMPONENT PANEL |
| 0022 | 251857 | CABLE FASTENERS |
| 0023 | 260400 | UNIT TOP STOP PIN |
| 0024 | 090020 | WHIPPING MM 16 |
| 0025 | 251965 | SWITCH REFERENCE PROTECTION |
| 0026 | 251964 | SWITCH REFERENCE |
| 0027 | 251861 | MICRO-SWITCH |
| 0028 | 260201 | 2-IN ES CROWN - SHINY - |
| 0029 | 098800 | TRANSPARENT HOSE (PER METER) |
| 0030 | 0V4213 | RUBBER PIECE HOLDER |
| 0031 | 252775 | TRAY DRAIN SUPPORT |
| 0032 | 254824 | FILTER BASE -WATER AND MORE- |
| 0033 | 254823 | FILTER -WATER AND MORE- |
| 0034 | 260290 | LEFT SIDE UNIT AESTHETIC |
| 0035 | 260184 | DECAFFEINATED CHUTE COVER - SHINY - |
| 0036 | 090681 | INSULATING DISK. |
| 0037 | 259231 | NUT M4 |
| 0038 | 255029 | SCREW M4X10 |
| 0039 | 255140 | M4 HEXAGONAL INSERT |
| 0040 | 099838 | STOPPER |
| 0041 | 252776 | LEVELLING FOOT |
| 0042 | 251860 | FEELER |
| 0043 | 260291 | RIGHT SIDE |
| 0044 | 260292 | LEFT SIDE |
| 0045 | 252145 | SPACER |
| 0046 | 260287 | BLACK UNIT BACK |
| 0047 | 251795 | GRINDER COVERING |
| 0048 | 252426 | MACHINE TOP |
| 0049 | 260192 | BASE - SHINY - |
| 0050 | 260289 | UNIT RIGHT SIDE AESTHETIC |

0051 252446
 0052 260448

MICRO-SWITCH ACTUATOR
 FLANGED NUT M4X6



Ele

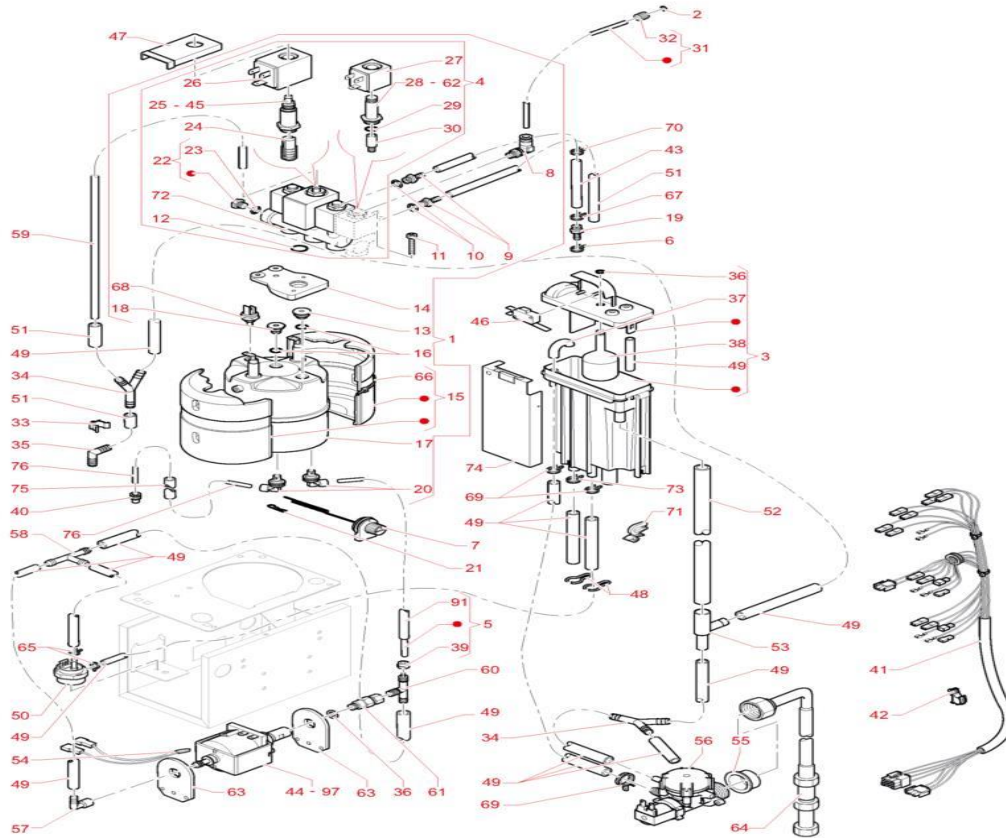


| posLbl | Item | Description |
|--------|--------|------------------------------------|
| 0001 | 254133 | ELECTRICAL PANEL ES+2IN |
| 0002 | 255034 | PLAIN TIP SELF-TAPPING SCREW 4X12 |
| 0003 | 260023 | FAN 12V -4100 RPM- |
| 0004 | 251820 | ELECTRIC COMPONENT PANEL |
| 0005 | 251856 | TERMINAL STRIP |
| 0006 | 097544 | FUSE 125 MADELAYED ACTION |
| 0007 | 260286 | MICRO ROCKER ARM |
| 0008 | 098793 | 5P TERMINAL BOARD WITH FUSE-HOLDER |
| 0009 | 251858 | TWO-POLE SWITCH |
| 0010 | 097241 | 3-POLE TERMINAL BOARD W/CARRIER |

| | | |
|------|--------|-------------------------------------|
| 0011 | 097103 | FUSE 1,25A 5X20 DELAYED ACTION |
| 0012 | 098792 | TRANSFORMER |
| 0013 | 0V3512 | ELECTRICAL NET FILTER |
| 0014 | 251796 | DOOR SWITCH CARRIER PLATE |
| 0015 | 0V1654 | SWITCH KEY |
| 0016 | 097796 | SWITCH |
| 0017 | 090681 | INSULATING DISK. |
| 0018 | 251861 | MICRO-SWITCH |
| 0019 | 090148 | CLIP |
| 0020 | 0V2378 | SWITCH |
| 0021 | 255724 | SELF-TAPPING SCREW 4X8 |
| 0022 | 252604 | CPU/ACTUATOR BOARD 16BIT 4M |
| 0023 | 0V2143 | BOILER CONTROL BOARD |
| 0024 | 260402 | GENERAL WIRING |
| 0025 | 260442 | GENERAL WIRING W/VOLUMETRIC COUNTER |
| 0026 | 097851 | CABLE FASTENING |
| 0027 | 260295 | MICRO SUPPORT PLATE |
| 0028 | 260024 | FAN 12V -5600 RPM- |
| 0029 | 252968 | CABLE RETAINER |
| 0030 | 254694 | WHITE CABLE RETAINER |
| 0031 | 097175 | CARD SPACER |
| 0032 | 255140 | M4 HEXAGONAL INSERT |
| 0033 | 259373 | SELF-TAPPING SCREW 3.5X35 |
| 0034 | 256494 | PROFILE WIRE PROTECT (PER METRE) |
| 0035 | 255027 | SELF-TAPPING SCREW 3,9X6,5 |
| 0036 | 259058 | SELF-TAPPING SCREW 4X16 |



Tank hydraulic system 500 cc. (w



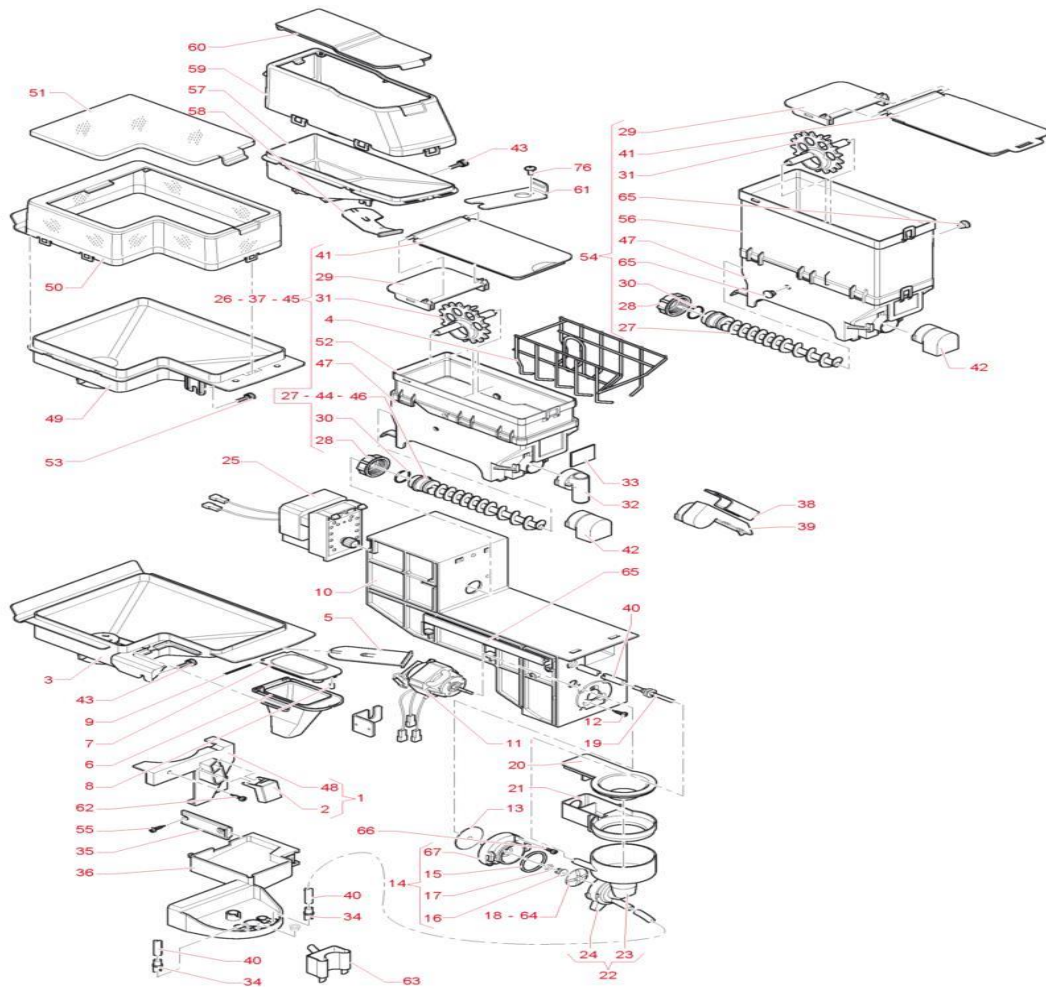
| posLbl | Item | Description |
|--------|--------|---|
| 0001 | 258964 | WELDED 500CC 3 EV 230V BOILER |
| 0002 | 094611 | GASKET O-RING 2018 |
| 0003 | 0V1133 | AIR-BREAK ASSEMBLY |
| 0004 | 259912 | 3 SOL. VALVE ASS. 2+3+2-WAY 230V 50HZ-STAINLESS STEEL |
| 0005 | 258960 | INSERT |
| 0006 | 097122 | BOILER PIPE - BY-PASS |
| 0007 | 256249 | HOSE CLIP |
| 0008 | 256249 | CAPILLARY THERMOSTAT LM8 140°C |
| 0009 | 0V2509 | UNION L-SHAPE 5X1/8 |
| 0010 | 095529 | RUBBER HOLDER UNION 1/8" (BRASS) |
| 0011 | 094594 | GASKET O-RING 2031 |
| 0012 | 255045 | SCREW M4X25 |
| 0013 | 252538 | O-RING 2025 |
| 0014 | 255774 | BOILER OUTLET FITTING |
| 0015 | 255772 | CONDUCTOR PLATE |
| 0016 | 259864 | BOILER INSULATION RIGHT/LEFT ASSY. |
| 0017 | 257077 | OR 2037-1.78X9.25 |

| | | |
|------|--------|---|
| 0017 | 255832 | BOILER WITH HEATING ELEMENT 1500W |
| 0018 | 255773 | CAP |
| 0019 | 252452 | STRAIGHT UNION |
| 0020 | 258904 | 6-1/8 L-SHAPED JOINT WITH O-RING |
| 0021 | 258827 | FASTENING CLIP |
| 0022 | 0V1600 | CAP WITH O-RING |
| 0023 | 096553 | GASKET O-RING 2037 |
| 0024 | 097472 | 3-WAY ELECTROVALVE NUCLEUS -VITON- |
| 0025 | 298093 | COFFEE-ELECTROV. CONNECTION PIPE-HIGH PERFORMANCE- |
| 0026 | 099057 | ELECTROV.-COIL 220/230 VOLT |
| 0027 | 099056 | INSTANTS COIL |
| 0028 | 298092 | INSTANT-ELECTROV. CONNECTION PIPE-HIGH PERFORMANCE- |
| 0029 | 099059 | VALVE-BUSH-GASKET |
| 0030 | 099058 | NUCLEUS INSTANT-E.V. |
| 0031 | 251871 | PISTON TUBE |
| 0032 | 098699 | UNION FOR PISTON PIPE |
| 0033 | 098484 | HOSE FIXING |
| 0034 | 093963 | UNION Y-SHAPE DIAM 8 OUTER |
| 0035 | 095576 | UNION L-SHAPE |
| 0036 | 0V0782 | O-RING 2025 |
| 0037 | 0V1749 | WATER/AIR-BREAK CONNECTION |
| 0038 | 0V1126 | AIR-BREAK FLOAT |
| 0039 | 099107 | NUT |
| 0040 | 257049 | CAP FEM. 6 DEP. |
| 0041 | 258959 | WELDED BOILER SHELF WIRING |
| 0042 | 098459 | WIRE-CLIP |
| 0043 | 097511 | SILICONE HOSE 6X9BROWN |
| 0044 | 257112 | PUMP 15BAR GLOW WIRE-PLASTIC- |
| 0045 | 099105 | COFFEE-ELECTROV. CONNECTION PIPE |
| 0046 | 0V1141 | MICROSWITCH |
| 0047 | 251248 | ELECTRIC VALVE COVERING |
| 0048 | 092703 | TUBE CLAMP |
| 0049 | 097512 | SILICONE HOSE 6X12 BROWN |
| 0050 | 098707 | VOLUMETRIC COUNTER D.1,8 |
| 0051 | 097510 | SILICONE HOSE 5X9 BROWN |
| 0052 | 097515 | SILICONE HOSE 10X16 BROWN |
| 0053 | 094185 | CODENSE RECOVERY UNION |
| 0054 | 0V1301 | 110 DEGREES THERMAL OVERLOAD |
| 0055 | 099815 | STOPPER |
| 0056 | 253818 | WATER INLET ELECTROVALVE 220V + WIRING |
| 0057 | 252021 | PIPETTE |
| 0058 | 094231 | UNION T-SHAPE |
| 0059 | 097529 | SILICONE HOSE 3X6 BROWN |
| 0060 | 098764 | BY-PASS PUMP (12 BAR) |
| 0061 | 099101 | NO-RETURN VALVE |
| 0062 | 0V1953 | INSTANT-ELECTROV. CONNECTION PIPE |

| | | |
|------|--------|--|
| 0063 | 0V4275 | POMPE SUPPORT |
| 0064 | 253456 | WATER SUPPLY CIRCUIT HOSE -UK- |
| 0065 | 097002 | HOSE CLIP |
| 0066 | 258915 | 39X5CM CLAMP |
| 0067 | 094329 | HOSE CLIP |
| 0068 | 255248 | TEMPERATURE PROBE |
| 0069 | 095515 | HOSE CLIP DIAM 14 |
| 0070 | 258815 | PIPE CLAMP COLLAR |
| 0071 | 252968 | CABLE RETAINER |
| 0072 | 260364 | BASE PLATE WITH 3 SOLENOID STAINLESS STEEL INSERTS |
| 0073 | 255058 | HOSE CLIP |
| 0074 | 253360 | AIR BREAK COVER |
| 0075 | 097685 | SILICONE HOSE BROWN 7,5X12 |
| 0076 | 252658 | TEFLON PIPE 3X6 (A METER) |

EVCA
GROUP

Mixer

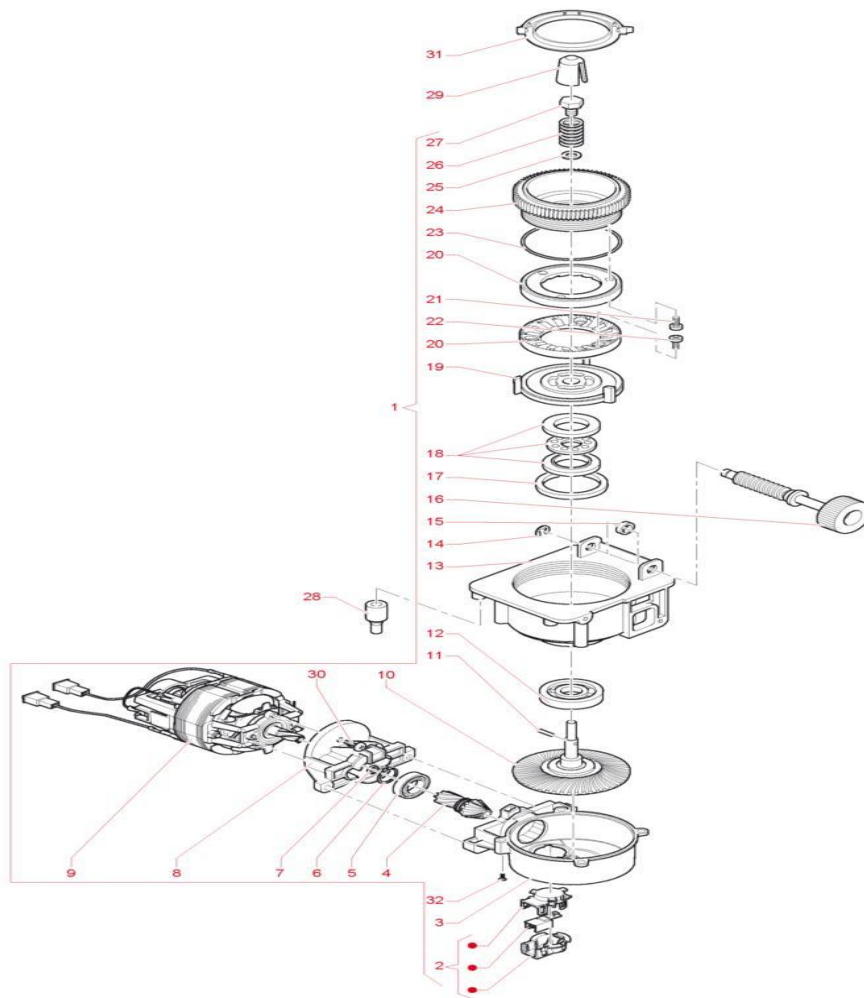


| posLbl | Item | Description |
|--------|--------|-------------------------------------|
| 0001 | 251870 | GROUND COFFEE CONVEYOR |
| 0002 | 251961 | COFFEE EXIT SHUTTER |
| 0003 | 251817 | COFFEE CONTAINER |
| 0004 | 252117 | CANISTER SCRAPER |
| 0005 | 098630 | ROLL-UP FOR CONTAINER |
| 0006 | 251927 | DECAF. SLIDE |
| 0007 | 260184 | DECAFFEINATED CHUTE COVER - SHINY - |
| 0008 | 0V3126 | MAGNET |
| 0009 | 251844 | SLIDE COVER PIN |
| 0010 | 251800 | MIXER SUPPORT BRACKET |
| 0011 | 098808 | MOTORMIXER |
| 0012 | 255046 | SCREW M3,5X8 |
| 0013 | 099889 | DISK |
| 0014 | 251869 | MIXER FLANGE |
| 0015 | 0V0776 | O-RING 3125 |
| 0016 | 097917 | BUSH SEAL -EXCLUSIVE- |

| | | |
|------|--------|---|
| 0017 | 0V0775 | O-RING 106 |
| 0018 | 097916 | MIXER VENTILATOR |
| 0019 | 251852 | DIAM. 3,4 MIXER NOZZLE |
| 0020 | 251767 | SUCTION TRAY COVER |
| 0021 | 251768 | SUCTION TRAY |
| 0022 | 251874 | MIXER CONVEYOR |
| 0023 | 251769 | MIXER CONVEYOR |
| 0024 | 298003 | MIXER LOCKING RING NUT |
| 0025 | 251866 | MOTOR.DOSE-METER 78 REV/MIN. |
| 0026 | 251875 | COMPL. STD. METER.SCREW CONTAIN. |
| 0027 | 251811 | SCROLL L=16.1CM |
| 0028 | 095849 | CONTAINER RING NUT |
| 0029 | 251967 | FIXED COVERING |
| 0030 | 251962 | O-RING 14 |
| 0031 | 251963 | WHEEL FOR CANISTER |
| 0032 | 098939 | ROUND STRAIGHT PIPETTE |
| 0033 | 097502 | NAMEPLATE GROUP CONTAINER INSTANT P |
| 0034 | 251799 | SOLUBLE POWDER NOZZLE |
| 0035 | 251797 | NOZZLE CARRIER PLATE GUIDE |
| 0036 | 251798 | NOZZLE CARRIER PLATE |
| 0037 | 254135 | LONG VAR.-PIT. METERING-SCR.+BEATER CONTAINER |
| 0038 | 254131 | CONVEYOR COVER |
| 0039 | 254132 | RIGHT CONVEYOR |
| 0040 | 097510 | SILICONE HOSE 5X9 BROWN |
| 0041 | 251968 | EXTENDABLE COVER |
| 0042 | 096868 | SQUARE STRAIGHT PIPETTE |
| 0043 | 252384 | KNOB M4X10 |
| 0044 | 251812 | LONG VAR.-PITCH METERING SCREW L=18.3CM |
| 0045 | 251908 | VAR.PITCH CONTAINER+SCRAPER |
| 0046 | 251816 | STD. VAR.-PITCH METERING SCREW L16.1CM |
| 0047 | 253310 | POWDERS CANISTER |
| 0048 | 298085 | COFFEE CONVEYOR |
| 0049 | 252424 | COFFEE CONTAINER BASE |
| 0050 | 252425 | COFFEE CANISTER |
| 0051 | 252423 | COFFEE CONTAINER LID |
| 0052 | 254137 | INSTANT CANISTER EXTENSION |
| 0053 | 096977 | KNURL |
| 0054 | 252462 | NORMAL AUGER CONTAINER |
| 0055 | 255028 | SELF-TAPPING SCREW 3,9X9,5 |
| 0056 | 253311 | CONTAINER EXTENSION |
| 0057 | 254127 | COFFEE CHAMBER BASE |
| 0058 | 254130 | SHUTTER |
| 0059 | 254128 | COFFEE CHAMBER BODY |
| 0060 | 254129 | COFFEE CHAMBER COVERING |
| 0061 | 257858 | BRACKET CONTAINER SUPPORT |
| 0062 | 255029 | SCREW M4X10 |

| | | |
|------|--------|------------------------------|
| 0063 | 251807 | EXPRESS COFFEE DOUBLE NOZZLE |
| 0064 | 252729 | MIXER VENTILATOR -BLUE- |
| 0065 | 252466 | PLUG - DIA. 7 MM |
| 0066 | 256493 | SCREW SELF-TAPPING 4X20 |
| 0067 | 258618 | MIXER FLANGE |

EVOCA
GROUP

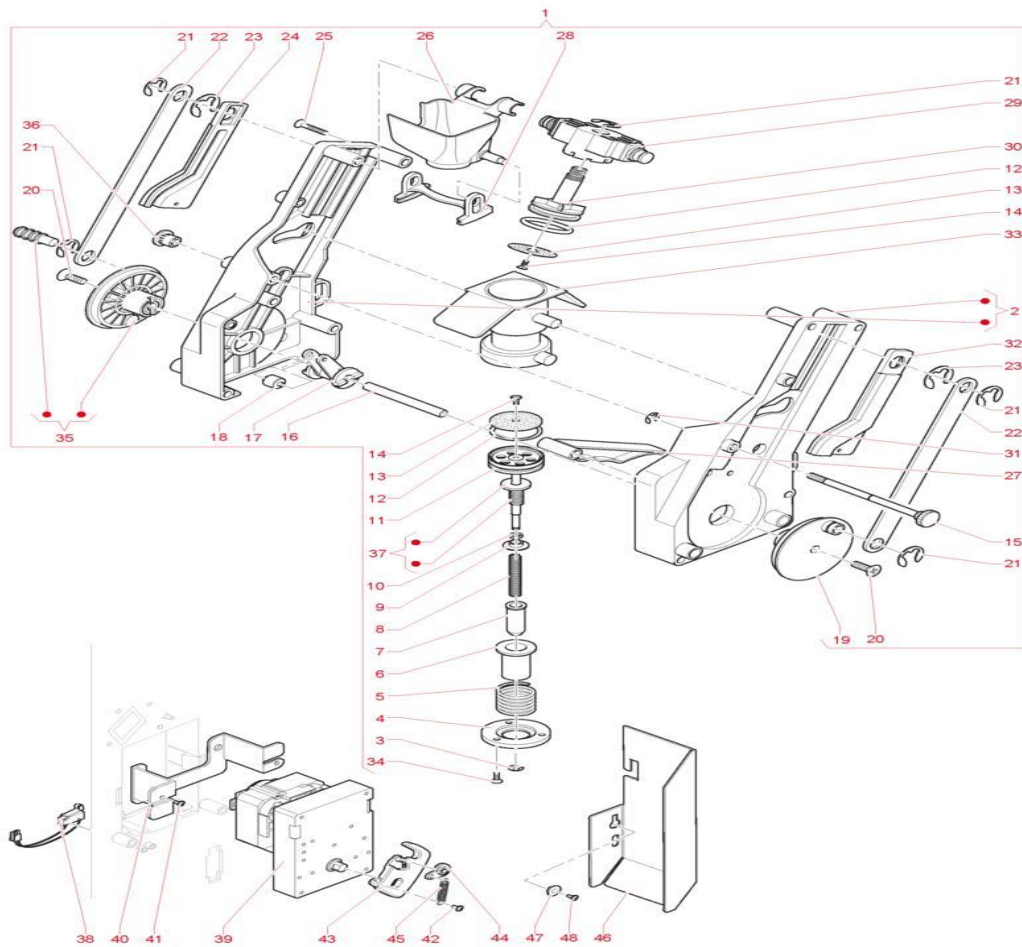


| posLbl | Item | Description |
|--------|--------|-----------------------------|
| 0001 | 251770 | GRINDER |
| 0002 | 251779 | SENSOR + COMPLETE CONNECTOR |
| 0003 | 251772 | MOTOR CARRIER PLATE |
| 0004 | 251774 | GEAR SHAFT |
| 0005 | 251780 | 17x30x7 RADIAL BEARING |
| 0006 | 251771 | MM 17 ELASTIC RING |
| 0007 | 251781 | 4x9x2,5 RADIAL BEARING |

| | | |
|------|--------|------------------------------|
| 0008 | 251775 | MOTOR SUPPORT FLANGE |
| 0009 | 251777 | 230V 50/60HZ MOTOR-FASTON- |
| 0010 | 251773 | GEAR RING + SHAFT AND MAGNET |
| 0011 | 098293 | ELASTIC PLUG |
| 0012 | 095803 | RADIAL BEARING |
| 0013 | 251776 | GRINDER CAP |
| 0014 | 093171 | OUTER FIXING COLLAR DIAM MM6 |
| 0015 | 099457 | WASHER |
| 0016 | 099474 | REGULATION SCREW |
| 0017 | 093271 | COFFEE JUNK RING . |
| 0018 | 093187 | THRUST BEARING |
| 0019 | 095802 | GRINDER HOLDER IMPELLER |
| 0020 | 095840 | GRINDER |
| 0021 | 255033 | SELF-TAPPING SCREW 4X10 |
| 0022 | 255032 | TREFOIL SCREW M4X10 |
| 0023 | 095805 | GASKET O-RING |
| 0024 | 099473 | GRINDER HOLDER |
| 0025 | 096988 | WASHER |
| 0026 | 099471 | SPRING |
| 0027 | 099472 | LEFT SCREW |
| 0028 | 099484 | LITTLE RUBBER |
| 0029 | 0V2520 | SCREW PROTECTION |
| 0030 | 255493 | SCREW M4X10 |
| 0031 | 255392 | ADJUSTING RING |
| 0032 | 259058 | SELF-TAPPING SCREW 4X16 |



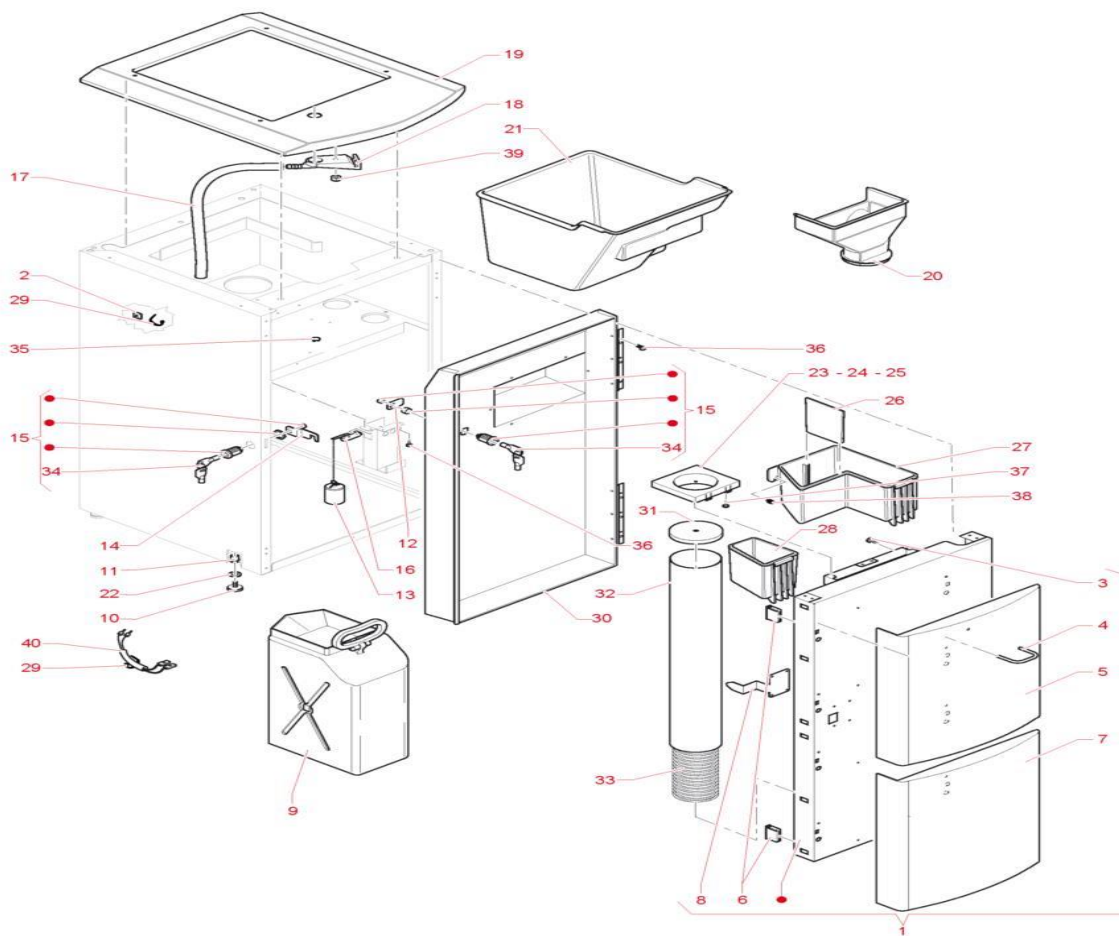
Oversize chamb



| posLbl | Item | Description |
|--------|--------|-------------------------------|
| 0001 | 252511 | Z3000L COFFEE ASSEMBLY |
| 0002 | 251101 | RH-LH SUPPORT |
| 0003 | 098818 | STOPPING RING D.4 |
| 0004 | 098569 | FLANGE FOR SPRING |
| 0005 | 098689 | PREINFUSION SPRING |
| 0006 | 098567 | LID FOR SPRING |
| 0007 | 098691 | LOWER PISTON GUIDE |
| 0008 | 098688 | PISTON RETURN SPRING |
| 0009 | 251756 | RETAINER BUSHING |
| 0010 | 0V0782 | O-RING 2025 |
| 0011 | 251759 | LOWER PISTON |
| 0012 | 251757 | SILICONE OR SEAL GASKET |
| 0013 | 251755 | DIAM. 42 COFFEE FILTER |
| 0014 | 259503 | SCREW M4X12 -STAINLESS STEEL- |
| 0015 | 252020 | TIEROD WITH KNURLED NUT |
| 0016 | 098693 | ROD CRANK BLOCKING |

| | | |
|------|--------|-----------------------------------|
| 0017 | 098574 | ROTATING LEVER |
| 0018 | 098692 | ROTATING LEVER ROLL |
| 0019 | 252491 | COFFEE GROUP CRANK |
| 0020 | 0V3889 | SCREW M6X14 |
| 0021 | 092717 | FIXING COLLAR DIAM MM10 |
| 0022 | 098565 | TRACE FOR PISTON COMMAND |
| 0023 | 096569 | FIXING COLLAR DIAM 12 |
| 0024 | 098571 | REAR SLEDGE |
| 0025 | 255031 | SELF-TAPPING SCREW 4,2X26 |
| 0026 | 252377 | -UL- Z3000L COFFEE CHUTE |
| 0027 | 098575 | OSCILLATING LEVER |
| 0028 | 251761 | COFFEE SCRAPER |
| 0029 | 098568 | CROSS-BAR |
| 0030 | 251758 | UPPER PISTON |
| 0031 | 091287 | OUTER FIXING COLLAR |
| 0032 | 098572 | FRONT SLEDGE |
| 0033 | 251760 | OVERSIZE INFUSION CHAMBER |
| 0034 | 255033 | SELF-TAPPING SCREW 4X10 |
| 0035 | 252442 | CRANK WITH PIN |
| 0036 | 253655 | SPACER BUSH |
| 0037 | 253502 | PISTON VALVE + SPRING |
| 0038 | 259399 | MICRO WITH WIRING |
| 0039 | 098708 | MOTOREDUCER |
| 0040 | 252871 | MOTOREDUCER SUPPORT |
| 0041 | 255028 | SELF-TAPPING SCREW 3,9X9,5 |
| 0042 | 255029 | SCREW M4X10 |
| 0043 | 251943 | COFFEE-GROUP ROTATION LEVER |
| 0044 | 251944 | ROTATION LEVER LOCK |
| 0045 | 987839 | RETURN SPRING |
| 0046 | 251868 | COFFEE GROUNDS CONVEYOR |
| 0047 | 251926 | SPACER BUSH |
| 0048 | 255034 | PLAIN TIP SELF-TAPPING SCREW 4X12 |

EVOCA
GROUP



| posLbl | Item | Description |
|--------|--------|-----------------------------------|
| 0001 | 252051 | ASSEMBLY CABINET DOOR WITH HANDLE |
| 0002 | 094989 | SELF-STICKING FIXING |
| 0003 | 255033 | SELF-TAPPING SCREW 4X10 |
| 0004 | 250723 | CABINET HANDLE |
| 0005 | 250724 | CABINET COVER - BLACK -FOR HANDLE |
| 0006 | 250182 | MAGNET |
| 0007 | 0V2984 | CABINET DOOR TOP (BLACK) |
| 0008 | 0V2537 | BOLT HOOK |
| 0009 | 0V2656 | LIQUID WASTE COLLECTION CONTAINER |
| 0010 | 0V2566 | FOOT |
| 0011 | 250037 | THREADED INSERT M6 |
| 0012 | 0V3460 | LATCH BOLT |
| 0013 | 094294 | FLOAT |
| 0014 | 0V2569 | BOLT HOOK |
| 0015 | 098303 | LOCK TYPE 'N' |
| 0016 | 252585 | MICROSWITCH |

| | | |
|------|--------|-------------------------------------|
| 0017 | 093628 | HOSE VIPLA TRANSPARENT DIAM MM 14X1 |
| 0018 | 0V4213 | RUBBER PIECE HOLDER |
| 0019 | 252041 | SUB-CONSOLE SPACER |
| 0020 | 252039 | COFFEE GROUNDS DISCHARGE |
| 0021 | 252038 | COFFEE GROUNDS TRAY |
| 0022 | 093470 | FLAT WASHER MM 6,4 |
| 0023 | 252046 | CUP COVER 70-71 |
| 0024 | 252047 | CUP COVER 57-58 |
| 0025 | 252048 | CUP COVER 73-74 |
| 0026 | 252049 | CONTAINER SEPARATOR |
| 0027 | 252044 | SUGAR CONTAINER |
| 0028 | 252043 | STIRRING BAR CONTAINER |
| 0029 | 090148 | CLIP |
| 0030 | 252050 | CABINET MIDDLE DOOR |
| 0031 | 252042 | CUP PUSHER DISK. |
| 0032 | 252045 | CUP COLUMN |
| 0033 | 093611 | SERVICE TABLE SPRING |
| 0034 | 098463 | PASSPARTOUT -ROUND LOCK- |
| 0035 | 0V1636 | PLUG D.25 |
| 0036 | 255027 | SELF-TAPPING SCREW 3,9X6,5 |
| 0037 | 255724 | SELF-TAPPING SCREW 4X8 |
| 0038 | 096977 | KNURL |
| 0039 | 259231 | NUT M4 |
| 0040 | 259512 | GROUND FULL WIRING |

3 - 230V 50HZ

Door

Cabinet assy

23
4
23
4
50
5

ctric system

ater supply)

and canister

Grinder

e coffee unit

Cabinet

